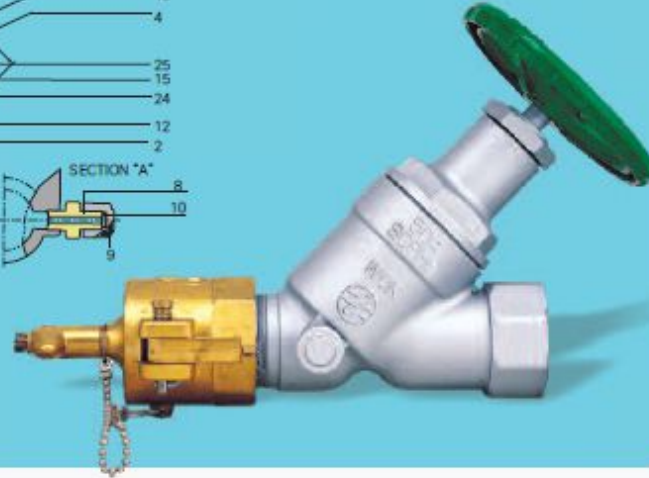
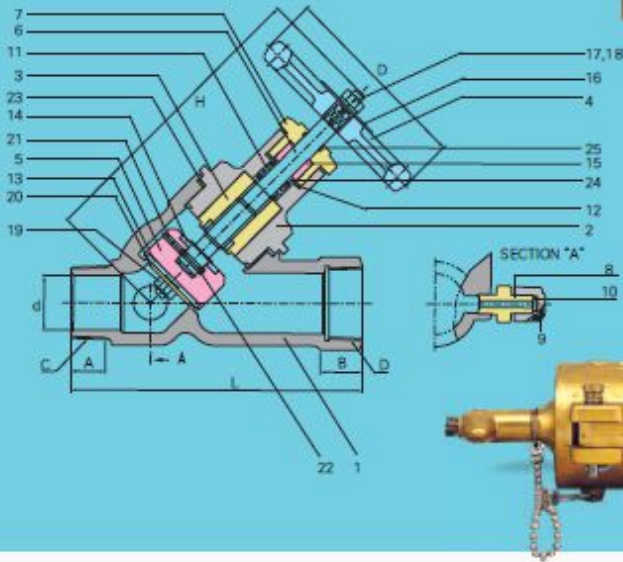


Y-TYPE GLOBE VALVE

WYV-1113

VALVE & EQUIPMENT DIVISION
VALVE & INSTRUMENTS



MATERIAL

NO.	PART NAME	MATERIAL	NO.	PART NAME	MATERIAL
1	BODY	SCPH2	14	BACK SEAT	P.T.F.E
2	BONNET	S20C	15	V-PACKING	P.T.F.E
3	SCREW BUSH	C3604B	16	NAME PLATE	AL
4	HANDLE	GCD-S	17	HANDLE NUT	S25C
5	VALVE DISK	S25C	18	SPRING WASHER	SUP6
6	SPINDLE	STS304	19	NUT	STS304
7	GLAND CAP	S25C	20	WASHER	STS304
8	HOLDER	C3604B	21	SET SCREW	STS304
9	DRAIN CAP	C3604B	22	BALL	SUJ2
10	PACKING	N.B.R	23	GASKET	NON-ASBESTOS
11	SPRING	STS304	24	GASKET	NON-ASBESTOS
12	PACKING PLATE	C3604B	25	O-RING	N.B.R
13	VALVE SEAT	P.T.F.E			

SPECIFICATION

- Hydrostatic test pressure : 2.94 MPa
- Pneumatic test pressure : 1.96 MPa
- Y-Valve & Coupling Assembly
Test Pressure : 2.35 MPa
- Fluid : LPG, NG, NH₃

DIMENSION

SIZE	L	H	D	d	A	B	A	B
25A	160	186	125	22	23	27	PT 1"	PT 1"
50A	200	254	160	45	28	38	PT 2"	PT 2"

unit: mm