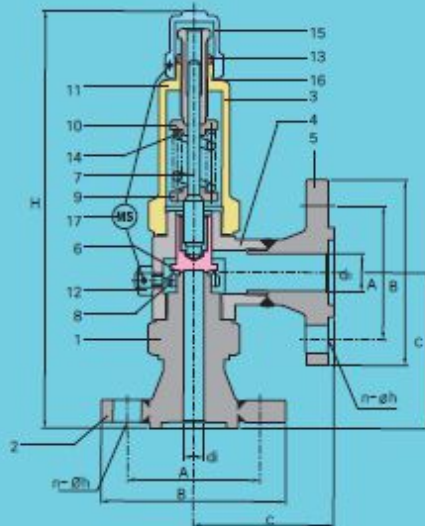


SAFETY VALVE FOR SPECIAL GAS

WSSG-5329



MATERIAL

NO.	PART NAME	MATERIAL	NO.	PART NAME	MATERIAL
1	NOZZLE	STS 304	10	UPPER SPRING DISK	STS 304
2	INLET FLANGE	STS 304	11	ADJUST SCREW	STS 304
3	BONNET	STS 304	12	SET BOLT	STS 304
4	BODY	STS 304	13	SET NUT	STS 304
5	OUTLET FLANGE	STS 304	14	SPRING	STS 304
6	VALVE DISK	STS 304	15	CAP	STS 304
7	SPINDLE	STS 304	16	GASKET	P.T.F.E
8	ADJUST RING	STS 304	17	SEAL	PB
9	LOWER SPRING DISK	STS 304			

DIMENSION

SIZE	H	A	B	C	d _i	d _o	n - øh
15A	220	70	95	80	10	15	4 -15
20A	250	75	100	90	12	20	4 -15
25A	280	90	125	95	16	25	4 -19
40A	340	105	140	120	19	40	4 -19
50A	380	120	155	125	26	50	8 -19

unit : mm