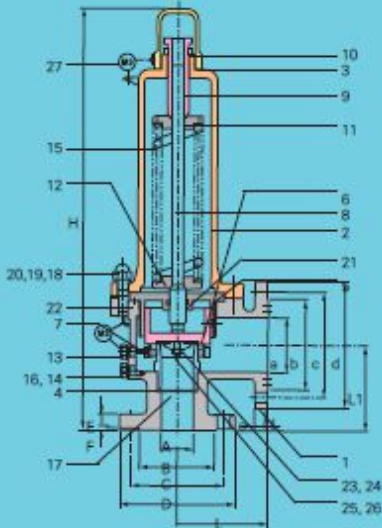


STORAGE TANK SAFETY VALVE

WSLT-5124M(S) (LPG)
WSLT-5224M(S) (NH₃)



MATERIAL

NO.	PART NAME	MATERIAL	NO.	PART NAME	MATERIAL
1	BODY	SCPH2	15	SPRING	SUP9A
2	BONNET	SCPH2	16	PACKING	C1100P
3	CAP	SCPH2	17	PACKING	C1100P
4	NOZZLE	STS 304	18	SPRING WASHER	S20C
5	GUIDE	STS 304	19	CAP NUT	S20C
6	VALVE DISK	STS 304	20	STUD BOLT	S25C
7	ADJUST RING	STS 304	21	O - RING	N.B.R
8	SPINDLE	STS 304	22	O - RING	N.B.R
9	ADJUST SCREW	C3604B	23	VALVE SEAT	P.T.F.E
10	SET NUT	S25C	24	WASHER	STS 304
11	UPPER SPRING DISK	S20C	25	NUT	STS 304
12	LOWER SPRING DISK	S20C	26	SPRING WASHER	STS 304
13	SET BOLT	S25C	27	SEAL	Pb
14	PLUG BOLT	S25C			

DIMENSION

unit : mm

SIZE	H	L	L1	A	a	INLET FLANGE					OUTLET FLANGE						
						B	C	D	E	F	N-∅h	b	c	d	e	f	n-∅h
25A	380	110	100	25	40	70	90	125	20	1	4-19	85	105	140	22	2	4-19
40A	500	150	120	40	65	85	105	140	22	2	8-19	120	140	175	24	2	8-19
50A	580	150	140	50	80	100	120	155	22	2	8-23	135	160	200	26	2	8-23
80A	734	184	154	80	100	135	160	200	26	2	8-23	160	185	225	28	2	8-23
100A	935	220	180	100	130	160	185	225	28	2	8-23	195	225	270	30	2	8-23

*참고_ Remark

1. 암모니아용일 경우 일부 재질을 변경함. _ 1. Material is to be changed in case of NH₃
2. 다른 가스 용도로 사용할 경우 당사로 연락바람. _ 2. Please contact us when applying for other gases