

BULK LORRY MALE COUPLING

WBLC - 6111

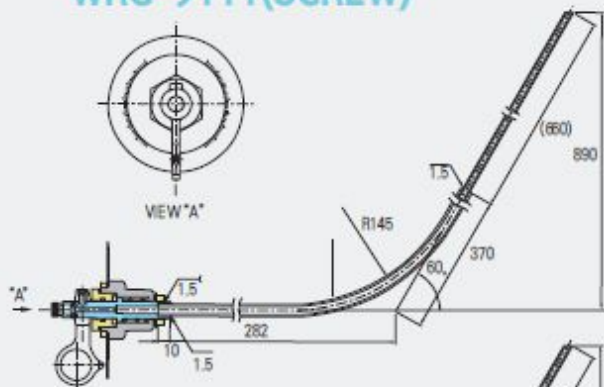


SPECIFICATION

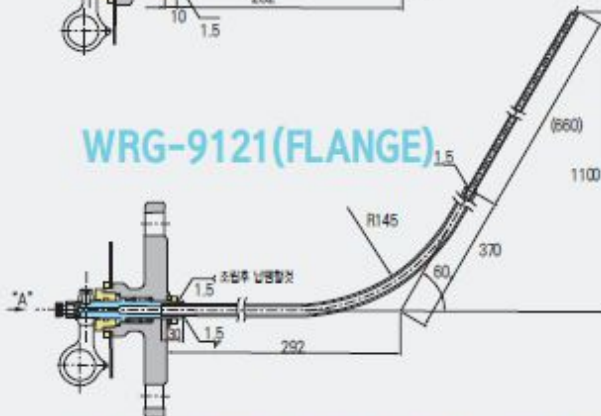
- Application : The filling connector between bulk lorry and storage tank
- Hydrostatic test pressure : 2.94 MPa
- Pneumatic test pressure : 1.96 MPa
- Material : C3604B / STS 304
- Connection : pt 1"
- Fluid : LPG

ROTARY LEVEL GAUGE

WRG-9111(SCREW)



WRG-9121 (FLANGE)



* CONNECTION : WRG-9111 → PT 1" / WRG-9121 → 65A JIS-20K

