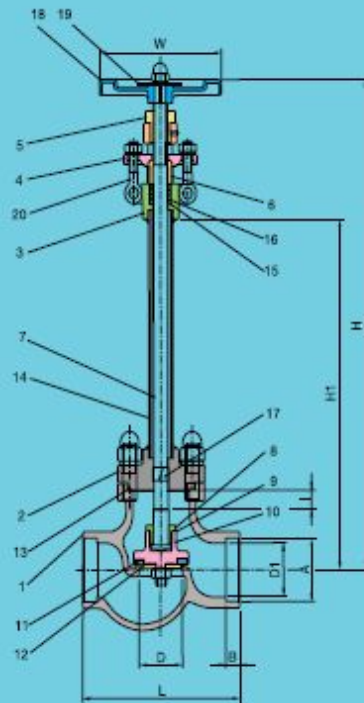


CRYOGENIC SUS GLOBE VALVE

MCSG-1000



MATERIAL

NO.	PART NAME	MATERIAL	NO.	PART NAME	MATERIAL
1	BODY	SSC13A	11	VALVE SEAT	PTFE
2	BONNET	SSC13A	12	WASHER	STS304
3	YOKE	SSC13A	13	GASKET	V#7020
4	GLAND FLANGE	SSC13A	14	STEM	STS304
5	YOKE BUSH	C3604	15	PACKING	PTFE
6	GLAND	C3604	16	V-PACKING	PTFE
7	SPINDLE	STS304	17	PACKING BUSH	PTFE
8	STEM RING	C3604	18	HANDLE	ALDC2
9	STOPPER	C1100P	19	NAME PLATE	A1050P
10	VALVE DISK	C3604	20	YOKE BOLT	STS304

SPECIFICATION

- Hydrostatic test pressure : 4.5 MPa
- Pneumatic test pressure : 3.3 MPa
- Fluid : L- O₂, N₂, Ar, LNG
- Design temperature : -196°C ~ +75°C

DIMENSION

SIZE	A	B	D	D1	I	L	H1	H	W
15A	22	9.5	15	16	10	90	253	370	80
20A	27.5	10	20	21	13	100	253	370	80
25A	34	12	25	26	14	120	252	370	100
40A	49	13	40	42	16	150	335	470	140
50A	61	16	50	52	18	180	335	470	140
65A	87	21	65	72	28	225	450	590	140
80A	116	27	80	92	32	262	570	710	140

unit : mm