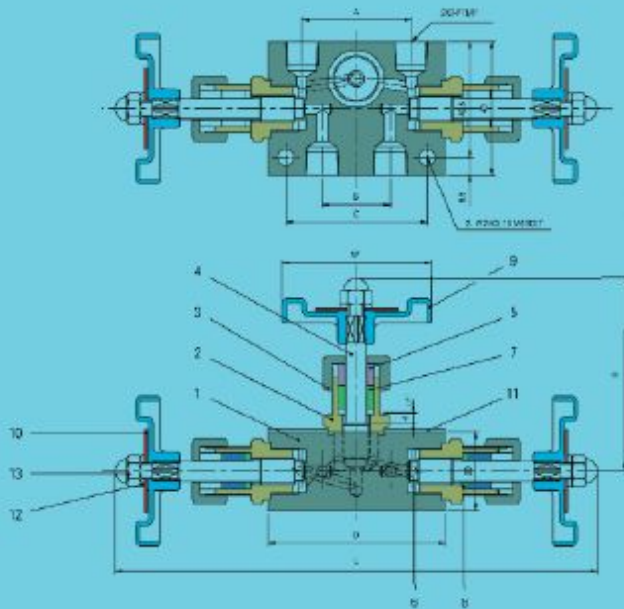


CRYOGENIC MANIFOLD

MCMV-1000



MATERIAL

NO.	PART NAME	MATERIAL	NO.	PART NAME	MATERIAL
1	BODY	C3604	8	PACKING RING	C3604
2	BONNET	C3604	9	HANDLE	ALDC2
3	GLAND NUT	C3604	10	NAME PLATE	A1050P
4	STEM	C3604	11	NAME PLATE	STS304
5	BUSH	C3604	12	SPRING WASHER	STS304
6	VALVE SEAT	PCTFE	13	CAP NUT	STS304
7	PACKING	PTFE			

SPECIFICATION

- Hydrostatic test pressure : 4.5 Mpa
- Pneumatic test pressure : 3.0 Mpa
- Fluid : L- O₂, N₂, Ar, LNG
- Design temperature : -196°C ~ +75

DIMENSION

SIZE	A	B	C	D	H	L	W
8A	40	25	52	65	75.5	187	65

unit: mm

*LNG용은 일부부품 STS304로 재질 변경.