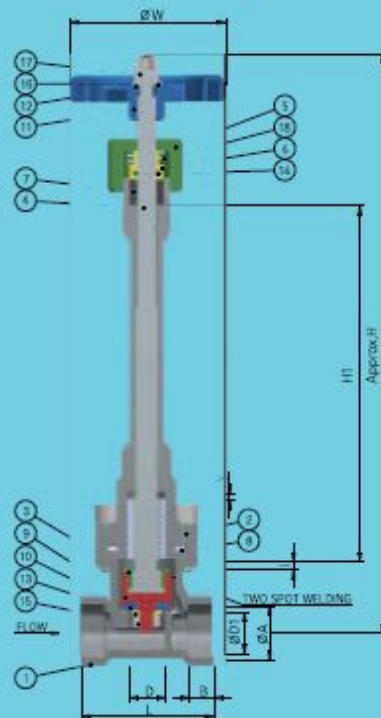


CRYOGENIC SUS GLOBE VALVE

MCCG-1000 (50KG/CM²)



MATERIAL

NO.	PART NAME	MATERIAL	NO.	PART NAME	MATERIAL
1	BODY	A351-CF8	11	HANDLE	ALDC2
2	BONNET ASS'Y	A351-CF8	12	NAME PLATE	A1050P
3	STEM RING	A276-304L	13	SEAT WASHER	STS304
4	SPINDLE	A276-304L	14	O-RING	N.B.R
5	GLAND NUT	C3604	15	LOCK NUT	STS304
6	GLAND	C3604	16	SPRING WASHER	STS304
7	PACKING ASS'Y	PTFE	17	CAP NUT	STS304
8	GASKET	V#7020	18	SPRING	STS304
9	VALVE DISK	A276-304L	19	WRENCH BOLT	A320-B8
10	VALVE SEAT	PTFE			

SPECIFICATION

- Hydrostatic test pressure : 7.35 MPa
- Pneumatic test pressure : 5.39 MPa
- Fluid : L- O₂, N₂, Ar, LNG
- Design temperature : -196°C ~ +75°C

DIMENSION

SIZE	A	B	D	D1	I	L	H1	H	W
15A	22.2	9.6	15	16	6.5	55	160	65	5
20A	27.5	12.7	20	21	8	70	178	80	6.5
25A	34	12.7	25	27	10.5	80	192	100	9.5
40A	49.1	12.7	31	41	15	105	245	140	13.5
50A	61.5	16.5	41	52	21	125	299	140	14.5

unit: mm