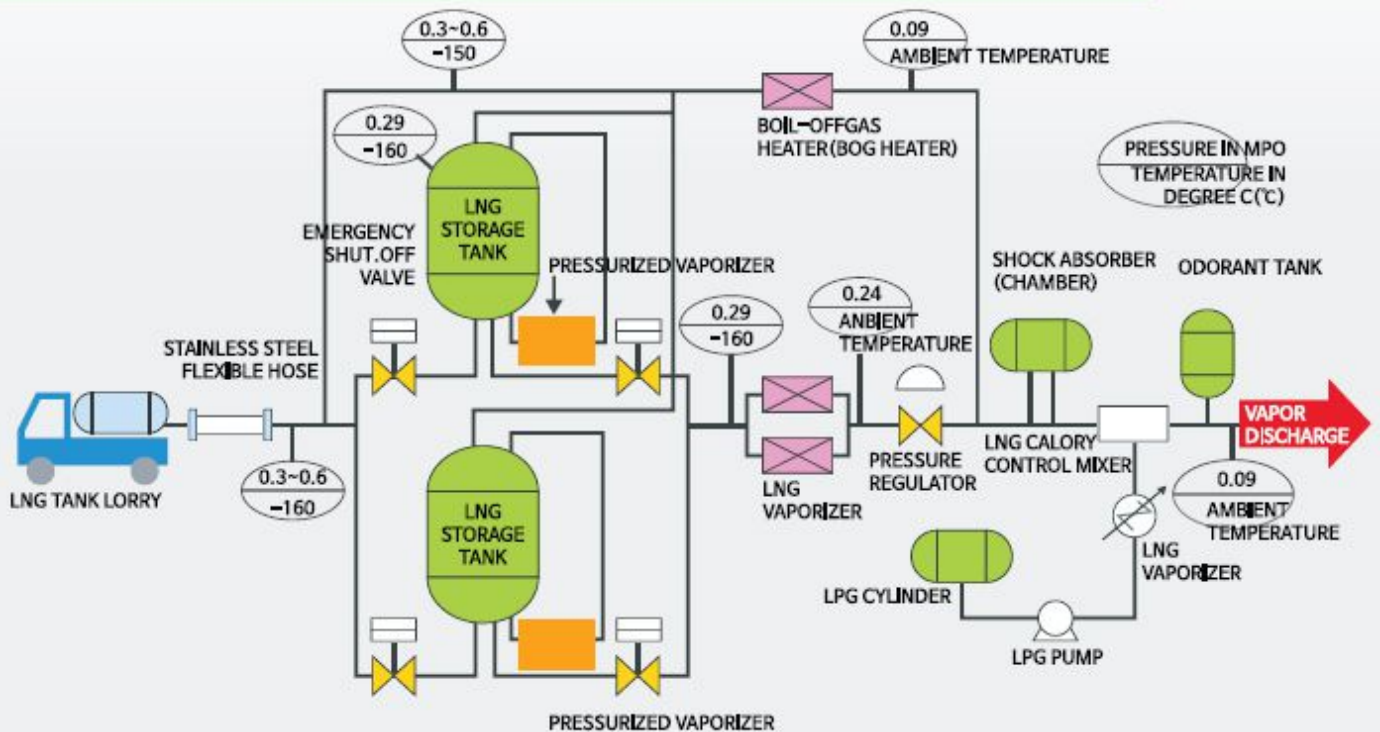


# LNG SATELLITE STATION

LNG satellite station is designed to supply natural gas to remote area not served by pipeline network. LNG transported by tank trucks from LNG receiving terminal is stored, vaporized, and supplied after regulating pressure.



## COMPONENTS

1. LNG Storage Tank / 2. LNG Vaporizer / 3. Heater / 4. Odorant Tank
5. Pressure Regulator / 6. Emergency Shut-off Valve